

NDR-520 (AD)/NDR-320

Low pressure regulator combination type 554-3
with OPSO and PRV or additional diaphragm

TECHNICAL SPECIFICATIONS:

- Single stage regulator combination
- Inlet pressure 0,5-4 bar
- Outlet pressure 30 / 37 / 50 mbar
or other on request
- Capacity: NDR-520 (AD) 12 kg/h,
NDR-320 24 kg/h *(dependent on inlet and outlet pressure)*
 - OPSO: 90-120 mbar
 - PRV: 90-200 mbar
 - PS 4
 - Additional diaphragm (optional)
 - Pressure gauge (optional)
 - Optional test equipment on request

*For further technical
specifications on
this regulator please
see reverse.*



25 years of proven experience

Discover more of our products at: www.mueller-gastechnik.de

TECHNICAL SPECIFICATIONS:

NDR-520 (AD)/NDR-320 Low pressure regulator combination type 554-3 with OPSO and PRV or additional diaphragm

About this regulator

Regulator combination type NDR-520 (AD)/NDR-320. The regulator combination type NDR-520 (AD)/NDR-320 is a regulator of 2nd stage for LPG which reduces the regulated pressure of the regulator of 1st stage to a fixed outlet pressure. The regulator is equipped with an over-pressure shut-off valve (OPSO) and an additional diaphragm (AD) or a safety relief valve (PRV). Due to the safety diaphragm it is not necessary to have a vent.

Mode of operation

The regulator combination reduces the regulated pressure from the gas cylinder using 1 stage to nominal pressure. At an inadmissible rise of the outlet pressure of the regulator the activation pressure of the safety device (OPSO) will be reached which will then close by itself and block the gas flow before the regulator. The operating state of the over-pressure shut-off valve (OPSO) can be monitored at the glass.

Bright=open
Red=closed

Should an additional pressure rise occur e.g. through a not complete closing of the over-pressure shut-off valve (OPSO), the additional diaphragms will stop a non-controlled discharge of the gas.

DVGW Approved: According to EN 16129 / CE marking according to 2016/426/EG

Inlet pressure: 0,5-4 bar

Inlet connection: G1/4, G3/8, G1/2, G3/4 or other on request

Outlet connection: G1/4, G3/8, G1/2, G3/4 or other on request

Capacity: NDR-520 (AD): 12 kg/h, NDR-320: 24 kg/h

Outlet pressure: 30 / 37 / 50 mbar or other on request

Pressure relief valve (PRV): 90-200 mbar or other on request

Over-pressure shut-off (OPSO): 75-150 mbar or other on request

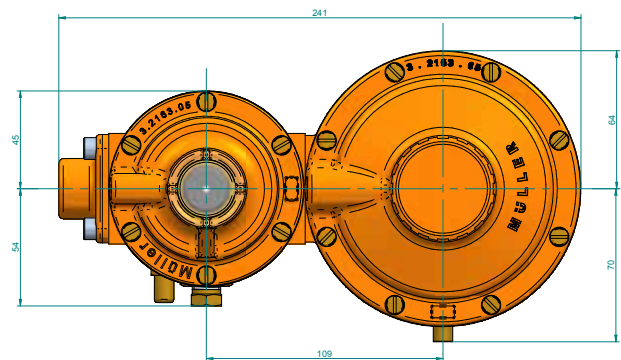
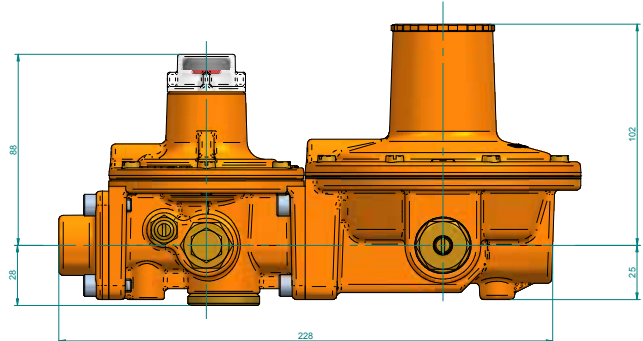
Regulator weight: Approx. 2 kg

Gas: LPG / Propane / Butane / Natural gas or other on request

Working temperatur: -40°C to +80°C

Contact our Sales Department to place your order:

Phone: +49 40 89 06 16-0 · info@mueller-gastechnik.de



Müller
GASTECHNIK GMBH
REGLER & ARMATUREN

Müller Gastechnik GmbH

Industriestrasse 3 · 25462 Rellingen · Telefon: +49 40 89 06 16-0 · Fax: +49 40 89 06 16-29

Email: info@mueller-gastechnik.de · www.mueller-gastechnik.de

See our online
catalogue

