

858 / 859

Regulator with OPSO

TECHNICAL SPECIFICATIONS:

- Single stage regulator
- Inlet pressure 3-16 bar
- Outlet pressure 1-4 bar
- Capacity 10 kg/h
- OPSO included
- PS 25
- Type 858 adjustable regulation
- Type 859 fixed regulation

For further technical specifications on this regulator please see reverse.



25 years of proven experience

Discover more of our products at: www.mueller-gastechnik.de

TECHNICAL SPECIFICATIONS: 858/859 Regulator with OPSO

About this regulator

The regulator type MGE 859 is a regulator of single stage for LPG, which reduces the non-regulated pressure of the pressure receptacle to a fixed outlet pressure.

The regulator is equipped with an over-pressure shut-off valve (OPSO).

Mode of operation

The regulator reduces the non-regulated pressure receptacle using one stage to a nominal 3 bar. At an inadmissible rise of the outlet pressure, the safety device (OPSO) will be reached which will then close by itself and block the gas flow. The operating state of the over-pressure shut-off valve (OPSO) can be monitored at the glass.

Bright=open
Red=closed

DVGW Approved: According to EN 16129 / CE marking according to 2009/142/EC, 2016/426/EG

Inlet pressure: 1-16 bar

Inlet connection: POL or other on request

Outlet connection: G1/4, G3/8, G1/2, G3/4 or other on request

Capacity: 10 kg/h (Propane)

Outlet pressure: 3,2 bar or other on request

Over-pressure shut-off (OPSO): 75-150 mbar

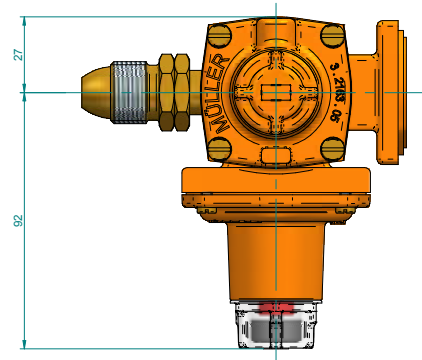
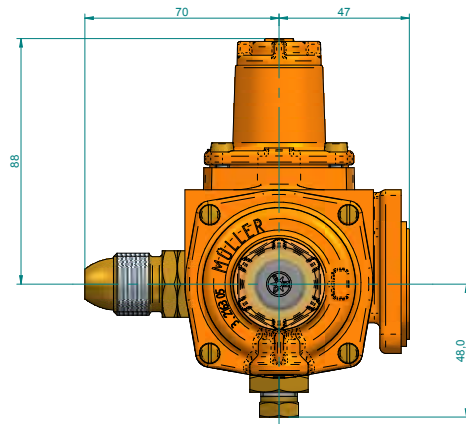
Weight: Approx. 1 kg

Gas: LPG / Propane / Butane / Natural gas or other on request

Working temperatur: -40°C to +50°C

Contact our Sales Department to place your order:

Phone: +49 40 89 06 16-0 · info@mueller-gastechnik.de



Müller
GASTECHNIK GMBH
REGLER & ARMATUREN

Müller Gastechnik GmbH

Industriestrasse 3 · 25462 Rellingen · Telefon: +49 40 89 06 16-0 · Fax: +49 40 89 06 16-29
Email: info@mueller-gastechnik.de · www.mueller-gastechnik.de

See our online
catalogue

