

MDR-815

Middle range pressure regulator combination
type 554-2 with OPSO and PRV

TECHNICAL SPECIFICATIONS:

- Single stage regulator combination
- Inlet pressure 1,75-16 bar
- Outlet pressure 0,75 / 1,0 / 1,5 / 2,0 / 2,5 bar or other on request
- Capacity 40-60 kg/h *(dependent on inlet and outlet pressure)*
- OPSO: 1,1 - 3,2 bar
- PRV: 1,4-3,5 bar
- PS 25
- Fixed or adjustable
- Pressure gauge (optional)
- Optional test equipment on request

For further technical specifications on this regulator please see reverse.



25 years of proven experience

Discover more of our products at: www.mueller-gastechnik.de

TECHNICAL SPECIFICATIONS:

MDR-815 Middle range pressure regulator combination type 554-2 with OPSO and PRV

About this regulator

Regulator combination type MDR-815. The regulator combination type MDR-815 is a regulator of 1st stage for LPG which reduces the non-regulated pressure of the gas cylinder to a fixed outlet pressure. The regulator is equipped with an over-pressure shut-off valve (OPSO) and a safety relief valve (PRV).

Mode of operation

The regulator combination reduces the non-regulated pressure from the gas cylinder using 1 stage to nominal pressure. At an inadmissible rise of the outlet pressure of the regulator the activation pressure of the safety device (OPSO) will be reached which will then close by itself and block the gas flow before the regulator. The operating state of the over-pressure shut-off valve (OPSO) can be monitored at the glass.

Bright=open

Red=closed

Should an additional pressure rise occur e.g. through a not complete closing of the over-pressure shut-off valve (OPSO), the relief valve (PRV) will automatically release the gas flow in a limited quantity to the atmosphere after obtaining the fixed activation pressure.

DVGW Approved: According to EN 16129 / CE marking according to 2016/426/EG

Inlet pressure: 1,75-16 bar

Inlet connection: Pol, G1/4, G3/8, G1/2, G3/4 or other on request

Outlet connection: G1/4, G3/8, G1/2, G3/4 or other on request

Capacity: 40-60 kg/h (Propane)

Outlet pressure: 2,5-4 bar or other on request

Pressure relief valve (PRV): 1,4-3,5 bar or other on request

Over-pressure shut-off (OPSO): 1,1 - 3,2 bar or other on request

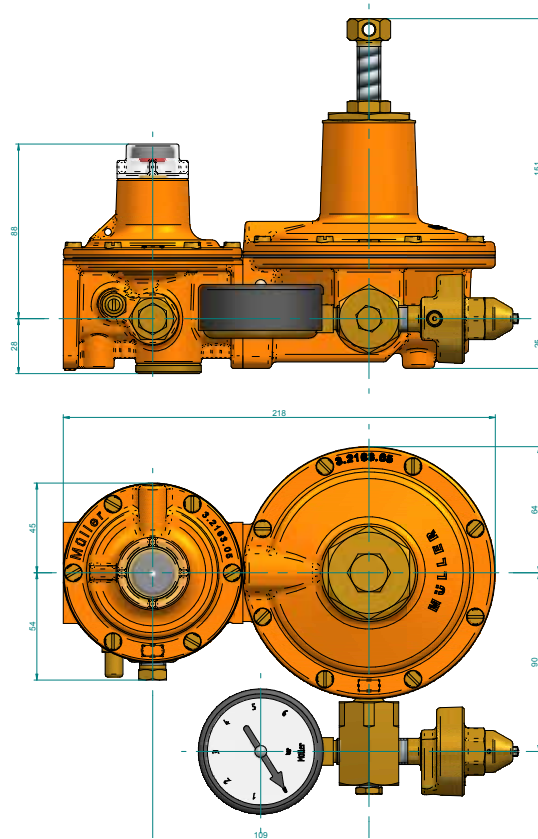
Regulator weight: Approx. 2 kg

Gas: LPG / Propane / Butane / Natural gas or other on request

Working temperatur: -40°C to +80°C

Contact our Sales Department to place your order:

Phone: +49 40 89 06 16-0 · info@mueller-gastechnik.de



Performance overview MDR-815:

Output pressure:	OPSO:	PRV:	Capacity Qmax:
0,75 bar	1,0 bar	1,4 bar	40 kg/h
1,0 bar	1,4 bar	1,7 bar	40 kg/h
1,5 bar	2,0 bar	2,3 bar	40 kg/h
2,0 bar	2,6 bar	2,9 bar	50 kg/h
from 2,5 bar	3,2 bar	3,5 bar	60 kg/h

Müller

GASTECHNIK GMBH

REGLER & ARMATUREN

Müller Gastechnik GmbH

Industriestrasse 3 · 25462 Rellingen · Telefon: +49 40 89 06 16-0 · Fax: +49 40 89 06 16-29

Email: info@mueller-gastechnik.de · www.mueller-gastechnik.de

See our online catalogue

