

057 / 058

Single stage regulator with flange connection - fixed and adjustable

TECHNICAL SPECIFICATIONS:

- Single stage regulator
- Inlet pressure 1,8-16 bar
- Outlet pressure 0,8-4 bar
- Capacity 24 kg/h *(dependent on inlet and outlet pressure)*
- PS 16

For further technical specifications on this regulator please see reverse.



25 years of proven experience

Discover more of our products at: www.mueller-gastechnik.de

TECHNICAL SPECIFICATIONS:

057/058 Single stage regulator with flange connection - fixed and adjustable

About this regulator

The pressure regulators type 057 and 058 are single stage regulators with a wide range of application possibilities. The regulators can be integrated in all systems, which require a regulated pressure.

Mode of operation

The pressure regulators type 057 and 058 are single stage regulators for gas systems which reduce the non-regulated pressure from up to 16 bar to a nominal or adjusted pressure of up to 4 bar.

DVGW Approved: According to EN 16129 / CE marking according to 2009/142/EC, 2016/426/EG

Inlet pressure: 1,8-16 bar

Inlet connection: G1/4, G3/8, G1/2, G3/4 or other on request.

Outlet connection: G1/4, G3/8, G1/2, G3/4 or other on request

Capacity: 24 kg/h (Propane)

Outlet pressure: 0,8-4 bar

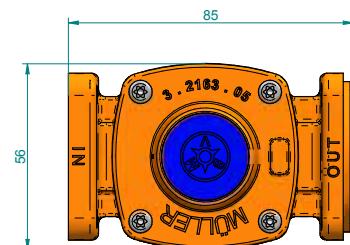
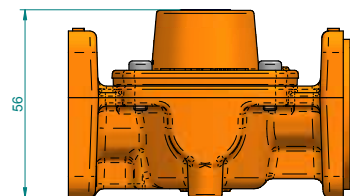
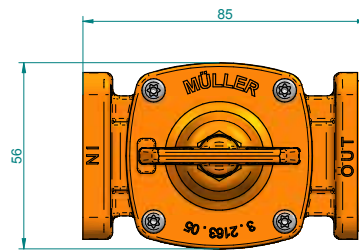
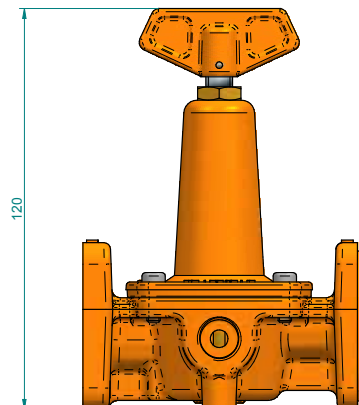
Regulator weight: Approx. 1 kg

Gas: LPG / Propane / Butane / Natural gas or other on request

Working temperatur: -40°C to +50°C

Contact our Sales Department to place your order:

Phone: +49 40 89 06 16-0 · info@mueller-gastechnik.de



Müller
GASTECHNIK GMBH
REGLER & ARMATUREN

Müller Gastechnik GmbH

Industriestrasse 3 · 25462 Rellingen · Telefon: +49 40 89 06 16-0 · Fax: +49 40 89 06 16-29
Email: info@mueller-gastechnik.de · www.mueller-gastechnik.de

See our online
catalogue

