

BRK-110

Regulator combination type 554-1 with OPSO and PRV for gas tank application

TECHNICAL SPECIFICATIONS:

- Two stage regulator combination
- Inlet pressure 1,5-16 bar
- Outlet pressure 29 / 30 / 37 / 50 /100 mbar or other on request
- Capacity 10 kg/h *(dependent on inlet and outlet pressure)*
- OPSO: 75-150 mbar
- PRV: 90-200 mbar
- PS 25
- For gas tank applications
- Optional test equipment on request

For further technical specifications on this regulator please see reverse.



25 years of proven experience

Discover more of our products at: www.mueller-gastechnik.de

TECHNICAL SPECIFICATIONS:

BRK-110 Regulator combination type 554-1 with OPSO and PRV for gas tank application

About this regulator

Regulator combination type MGE 554/859. The regulator combination type MGE 554/859 is a combination of a regulator of 1st stage and a regulator of 2nd stage for LPG which reduces the non-regulated pressure of the pressure receptacle to a fixed outlet pressure. The regulator of 1st stage is equipped with an over-pressure shut-off valve (OPSO) and the regulator of 2nd stage is equipped with safety relief valve (PRV).

Mode of operation

The regulator combination reduces the non-regulated pressure from the pressure receptacle using 2 stages to a nominal 50 mbar. At an inadmissible rise of the outlet pressure of the 2nd stage regulator the activation pressure of the safety device (OPSO) will be reached which will then close by itself and block the gas flow before the regulator of 1st stage. The operating status of the over-pressure shut-off valve (OPSO) can be monitored at the glass.

Bright=open
Red=closed

Should an additional pressure rise occur e.g. through a not complete closing of the over-pressure shut-off valve (OPSO), the relief valve (PRV) will automatically release the gas flow in a limited quantity to the atmosphere after obtaining the fixed activation pressure.

DVGW Approved: According to EN 16129 / CE marking according to 2016/426/EG

Inlet pressure: 1,5-16 bar

Inlet connection: Pol, G1/4, G3/8, G1/2, G3/4 or other on request

Outlet connection: G1/4, G3/8, G1/2, G3/4 or other on request

Capacity: 10 kg/h (Propane)

Outlet pressure: 29 / 30 / 37 / 50 / 100 mbar or other on request

Pressure relief valve (PRV): 90-200 mbar or other on request

Over-pressure shut-off (OPSO): 75-150 mbar

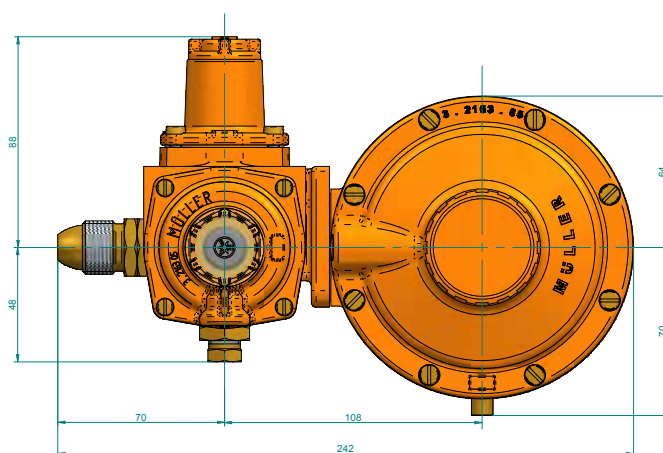
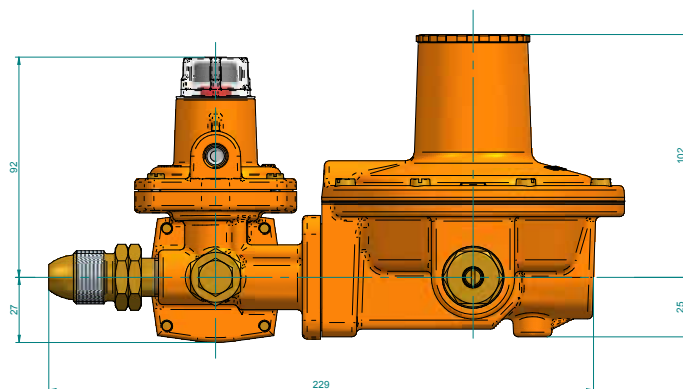
Regulator weight: Approx. 2 kg

Gas: LPG / Propane / Butane / Natural gas or other on request

Working temperatur: -40°C to +80°C

Contact our Sales Department to place your order:

Phone: +49 40 89 06 16-0 · info@mueller-gastechnik.de



Müller
GASTECHNIK GMBH
REGLER & ARMATUREN

Müller Gastechnik GmbH

Industriestrasse 3 · 25462 Rellingen · Telefon: +49 40 89 06 16-0 · Fax: +49 40 89 06 16-29

Email: info@mueller-gastechnik.de · www.mueller-gastechnik.de

See our online
catalogue

